



Selection

CONTROL UNIT



Maximum standard power ratings of 3-phase motors 50/60 Hz

POWER BASE



Setting range

Reference to be completed by adding the voltage code

Control circuit voltages (V)

400/450V	500V	690V						
	kW	kW	A					
0,09	-	-	0,15...0,6	LUCAX6**	B	BL	BS	FU
0,25	-	-	0,35...1,4	LUCAX1**	B	BL	BS	FU
1,5	2,2	3	1,25...5	LUCAX5**	B	BL	BS	FU
5,5	5,5	9	3...12	LUCAX12**	B	BL	BS	FU
7,5	9	15	4,5...18	LUCAX18**	B	BL	BS	FU
15	15	18,5	8...32	LUCAX32**	B	BL	BS	FU

Control circuit voltages (V)

24	24	48...72	110...240
----	----	---------	-----------

For D.O.L starting non-reversing

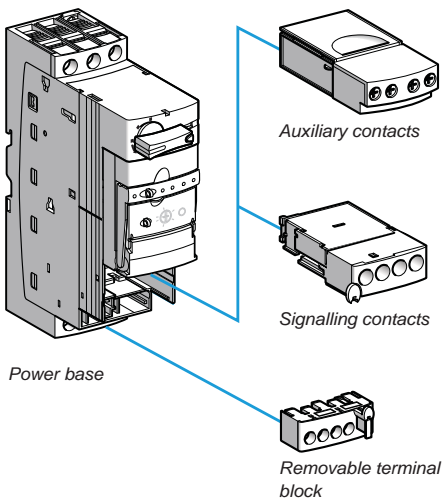
Instantaneous auxiliary contacts built-in as standard.

For D.O.L starting reversing

Reference to be completed by adding the voltage code

Reference	Rating	Instantaneous auxiliary contacts		Reference
	A	I	L	
LUB12	12	1	1	LU2B12**
LUB12	12	1	1	LU2B12**
LUB12	12	1	1	LU2B12**
LUB12	12	1	1	LU2B12**
LUB12	32	1	1	LU2B12**
LUB12	32	1	1	LU2B12**

Auxiliary contacts



Auxiliary contacts

Number of contacts	2	-	1	1	-	2
Power pole status	NO	NC	NO	NC	NO	NC
References	LUF N20		LUF N11		LUF N02	

Signalling contacts

Number of contacts	1	1	2	-
Fault signalling		NC (95-96)	NO (97-98)	
Position of rotary knob	NO (17-18)		NO (17-18)	
References	LUA 1C11		LUA 1C20	

Total coordination motor starter

Bộ khởi động mô-tơ có cấp phối hợp bảo vệ tổng

Two versions of control connection:

Có hai dạng đầu nối dây điều khiển

- Connection by screw terminals

- Nối dây điều khiển bằng vít

- Connection by prewiring accessories (without connection)

- Nối dây điều khiển bằng phụ kiện kết nối chuyên dụng

Unit price (incl.VAT) in VND

Power bases for non-reversing DOL starting

These bases have 2 auxiliary contacts: 1 N/O (13-14) and 1 N/C (21-22) which indicate the closed or open position of the power poles

A low power internal contact allows power supply to the control unit to be switched off when the rotary knob is no longer in the ON position

Connection		Item	Rating			Reference	Unit price
Power	Control		≤440V	500V	690V		
Screw clamp terminals		1 + 2 + 3	12A	12A	9A	LUB12	5.313.500
		+ 4	32A	23A	21A	LUB32	6.792.500

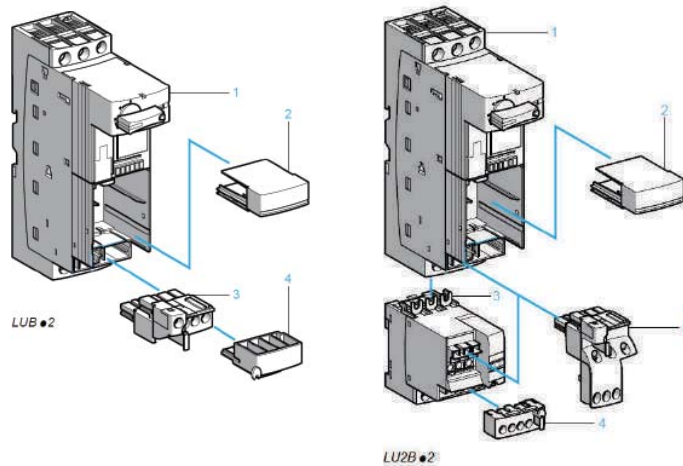
Power bases for reversing DOL starting, pre-assembled

These bases have two N/O common point contacts (81-82-84) which indicate non-reversing and reversing operation status

Connection		Items	Rating			Reference	Unit price
Power	Control		≤440V	500V	690V		
Screw clamp terminals		1 + 2 + 3	12A	12A	9A	LU2B12BL	18.243.500
		+ 4 + 5	32A	23A	21A	LU2B32BL	20.592.000

(2) Select the same control voltage as that of the control unit, see table below:

Volts	24	48...72	110...240
⋮	BL	-	-
~	B	-	-
~	-	ES	FU



Total coordination motor starter

Bộ khởi động mô-tơ có cấp phối hợp bảo vệ tổng

Two versions of control connection:

Có hai dạng đấu nối dây điều khiển

- Connection by screw terminals

- Nối dây điều khiển bằng vít

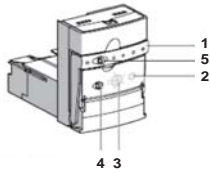
- Connection by prewiring accessories (without connection)

- Nối dây điều khiển bằng phụ kiện kết nối chuyên dụng

Unit price (incl.VAT) in VND

Description

- 1 Extraction and locking handle
- 2 Test button (on advanced control unit only)
- 3 Ir adjustment dial
- 4 Locking of settings by sealing the transparent cover
- 5 Sealing of locking handle



LUCA ●●●●
LUCB ●●●●

Standard control units, Maximum standard power rating of 3-phase motors, 50/60Hz - kW

400/440V	500V	600V	Setting range (A)	For use with power base rating (A)	Reference to be completed (1)
0,09	-	-	0.15 ... 0.6	12 and 32	LUCAX6BL 2.838.000
0,25	-	-	0.35 ... 1.4	12 and 32	LUCA1XBL 2.992.000
1,5	2,2	3	1.25 ... 5	12 and 32	LUCA05BL 3.047.000
5,5	5,5	9	3 ... 12	12 and 32	LUCA12BL 3.415.500
7,5	9	15	4.5 ... 18	32	LUCA18BL 3.690.500
15	15	18.5	8 ... 32	32	LUCA32BL 5.500.000

(1) Standard control circuit voltages:

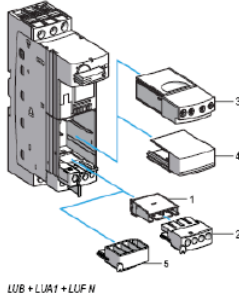
Volts	24	48...72	110...240
⋯	BL (2),(3)	-	-
~	B	-	-
~	-	ES	FU

(2) Voltage code to be used for a starter-controller with communication module

(3) d.c. voltage with maximum ripple of ± 10%

Description

- 1 Extraction and locking handle
- 2 Built-in display window (2 lines, 12 characters)
- 3 4-button keypad
- 4 24Vdc auxiliary power supply
- 5 Modbus RS485 communication port. Connection by RJ45 connector
- 6 Sealing of locking handle

**Auxiliary contacts**

Signalling and composition	Cabling	Items	Reference	Unit price
1 N/C fault signalling contact (95-96) and 1 N/O contact (17-18) indicating rotary knob in ready position ☺	Screw clamp terminals	1 + 2	LUA1C11	1.050.500
1 N/O fault signalling contact (97-98) and 1 N/O contact (17-18) indicating rotary knob in ready position ☺	Screw clamp terminals	1 + 2	LUA1C20	1.050.500

Auxiliary contacts modules for connection by screw clamp terminal

Module with 2 contacts indicating the status of the starter-controller power poles

2 N/O contacts (33-34 and 43-44)	3	LUFN20	1.056.000
1 N/C contacts (31-32) and 1 N/O contact (43-44)	3	LUFN11	1.534.500